

Borne triple piso a tornillo

Screw-type disconnect terminal block

El diseño compacto de este borne ha sido desarrollado especialmente para obtener un ahorro de espacio en el tablero.

Las distintas variantes del modelo BKNT-S, con y sin indicación para la actividad de los sensores, facilitan la conexión de los sensores de tres hilos.

La vinculación de la alimentación a los distintos sensores se realiza de forma sencilla mediante los puentes de interconexión de distintos colores. Adicionalmente, es posible colocar un puente a tornillo de 10 elementos en el piso superior.

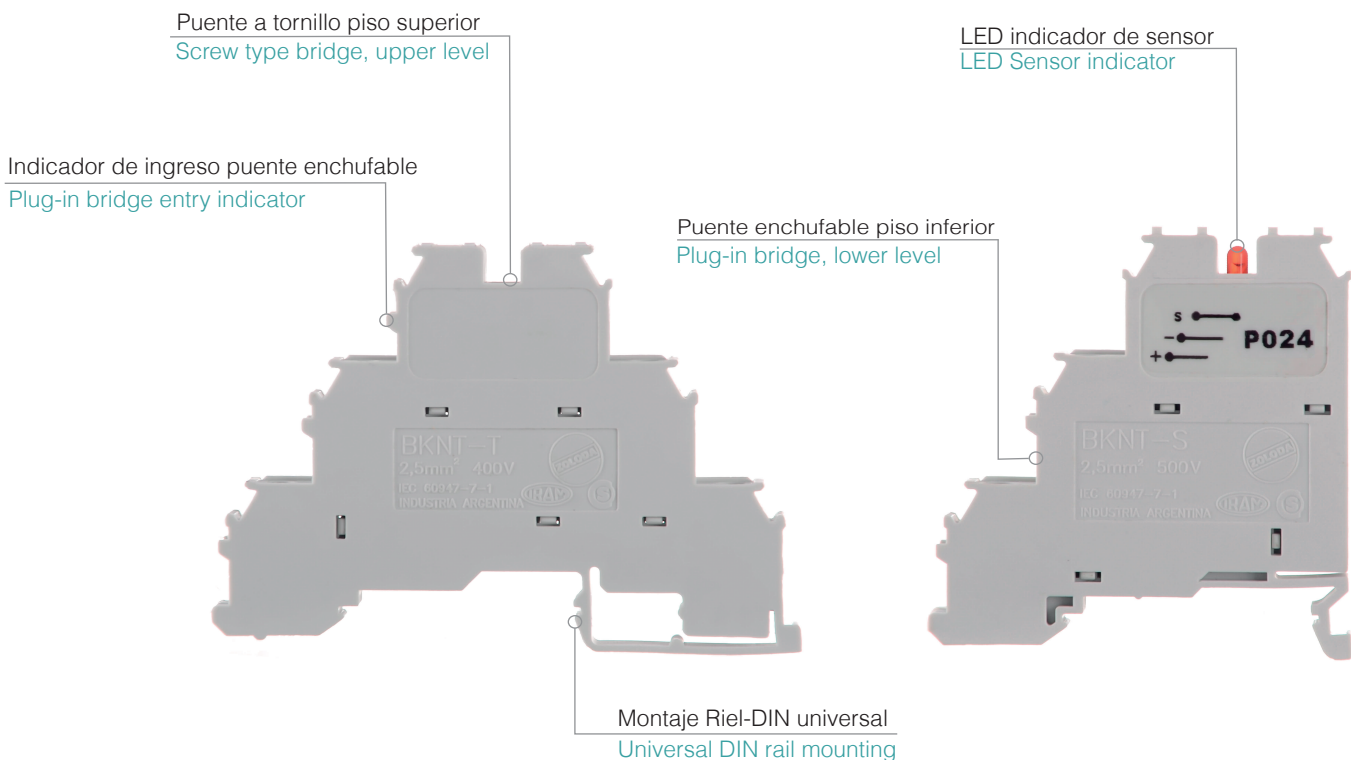
The compact design in this terminal block has been specially created to save as much space in the board as possible.

The different variations of BKNT-S terminal blocks, with and without sensor activity indicators, facilitate the connection of the three-wire sensors.

Linking the electric supply to the different sensors can be easily achieved by using assorted colors of interconnection jumpers. Additionally, a 10 positions screw-type bridge may be placed in the upper level.

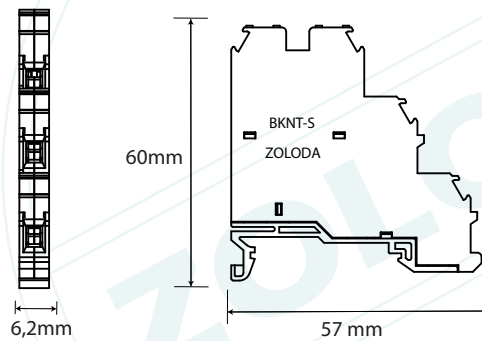
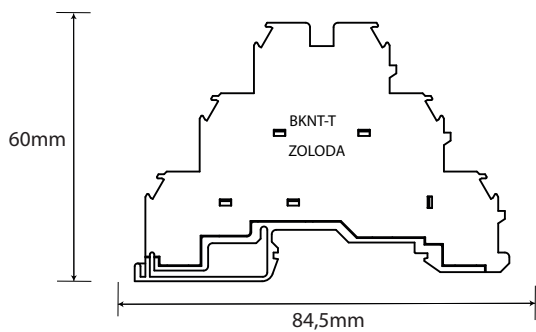
BKNT Series

Conexión / Connection	Tornillo / Screw
Cuerpo aislante / Insulating housing	PA 6.6 autoextinguible según UL94 grado V0 / Self-extinguishing PA 6.6 meeting V0 grade UL94
Paso / Width	6,2 mm
Corriente nominal / Rated current	24 A
Sección máxima asignada (Cable flexible) / Max. cross-section (flexible cable)	2,5 mm ²



» Dimensiones y modelos disponibles

Dimensions and available models



BKNT-T

Borne triple piso a tornillo. ([+ info](#))

Screw-type, three-level terminal block.

BKNT-T-AZ

Borne triple piso a tornillo de color azul. ([+ info](#))

Screw-type, blue, three-level terminal block.

BKNT-S

Borne triple piso para salida a sensores. ([+ info](#))

Sensor output, three-level terminal block.

BKNT-S/C

- Salida a sensores PNP / *PNP sensor output*

BKNT-S/C-P012 Led 5-15V CA/CC. ([+ info](#))

BKNT-S/C-P024 Led 15-30V CA/CC. ([+ info](#))

BKNT-S/C-P060 Led 15-30V CA/CC. ([+ info](#))

- Salida a sensores NPN / *NPN sensor output*

BKNT-S/C-N012 Led 5-15V CA/CC. ([+ info](#))

BKNT-S/C-N024 Led 15-30V CA/CC. ([+ info](#))

BKNT-S/C-N060 Led 15-30V CA/CC. ([+ info](#))

» Accesorios

Accessories

P-10-06/BDN-MB

Puente fijo a tornillo de 10 elementos ([+ info](#))

10 positions, screw-type fixed bridge

P-10-06/BKNT

Puente peine de 10 elementos ([+ info](#))

10 positions, busbar bridge

U-P-06/BKNT

Unión para puentes paso 6, línea BKNT. ([+ info](#))

6-width bridge jumpers, BKNT line